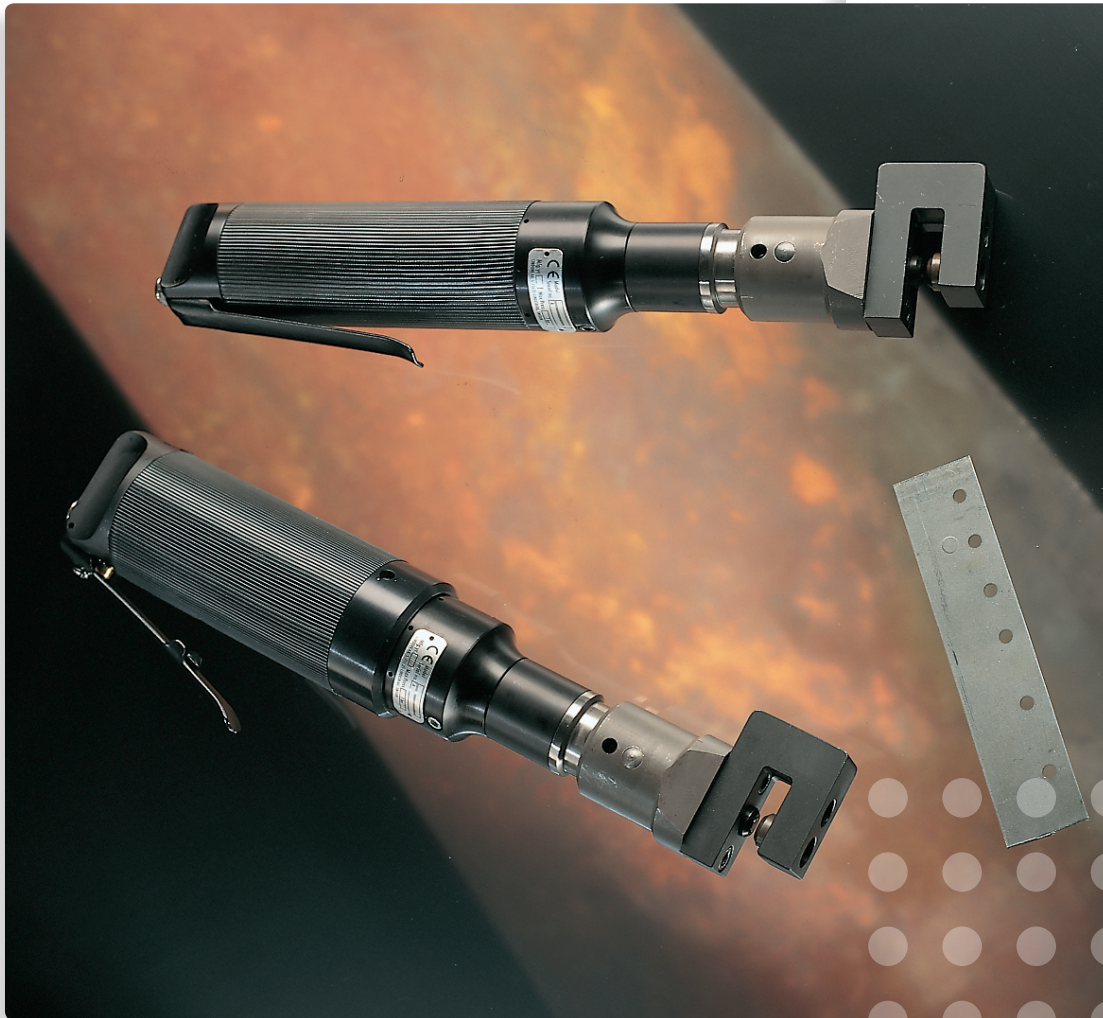


HOLE PUNCH LINDOVA H5

SEE OUR ENTIRE PRODUCT RANGE AT: WWW.LINDOVA.SE



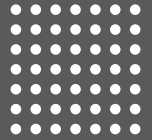
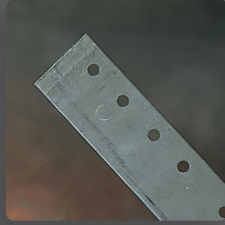
Air hydraulic punch tool for stainless steel up to 3.5 mm

Lindova H5 is an air hydraulic hole punching tool. The design allows the user to work using rapid strokes and considerable force. The hole is burr-free.

Lindova H5 has mounting hole for fixed installation.

The tool is both light weight and well-balanced to minimize the strain on the user. The air hydraulics also mean that the tool runs silently and is completely vibration-free.

The tool has few moving parts and has an extremely high level of operational reliability. And because we both design and manufacture the H5 Hole Punch ourselves, we can guarantee both a complete stock of spare parts and rapid service when required.



HOLE PUNCH LINDOVA H5

SEE OUR ENTIRE PRODUCT RANGE AT: WWW.LINDOVA.SE

MODEL


Designation	Weight	Punch pressure*	Length	Ø Cylinder
H5/d-D333	1.9 kg	10 kN	334 mm	52 mm
H5/d-D433	2.1 kg	15 kN	351 mm	60 mm

$d = \text{Ø Punch}$

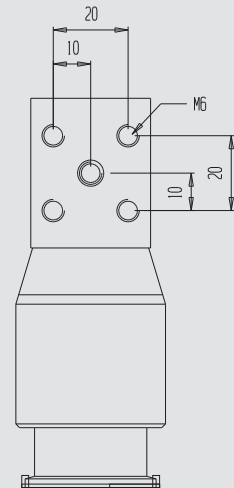
CAPACITY* (plate thickness mm)

Material	D333			D433		
	Alu.	Steel (I31I)	Stainless	Alu.	Steel (I31I)	Stainless
Punch Ø 4 mm	3.3	2.4	1.4	3.5	3.5	2.1
Punch Ø 5 mm	2.6	1.8	1.1	3.5	2.8	1.7
Punch Ø 6 mm	2.2	1.5	0.9	3.3	2.3	1.4
Punch Ø 7 mm	1.9	1.3	0.8	2.8	2.0	1.2
Punch Ø 8 mm	1.6	1.1	0.7	2.5	1.7	1.0

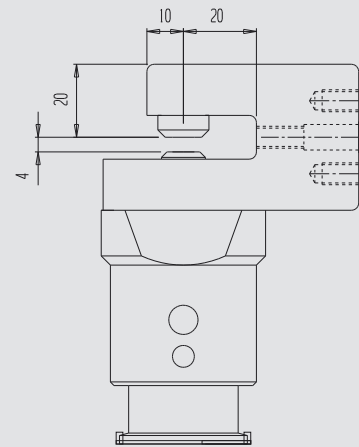
The Lindova H5 is supplied as a standard model with a choice of punch sizes between 4 and 8 mm. Special models offer punches at 0.1 mm intervals. Punch and pad are easily interchangeable.

Vibration level: < 2.5 m/s²
Noise level: 63 dB (A) 

* At 6 bar (90 Psi) pressure



H5 Tool head



Lindova H5 has mounting hole for fixed installation and adjusting screw to set edge distance.